

## LOG HOUSE TOILET

### Product Information

The Log House Toilet is delivered to you as a construction kit with a separate waste tank for assembly on site.

We recommend that a qualified person assembles the building and connects it to the waste tank.

### Walls

External and internal walls of untreated wood. Walls can be painted by the customer according to their wishes.

### Doors

Wooden doors.

### Roof

Corrugated steel with a panel emitting natural light into the toilet.

### Flooring

Fibre glass-reinforced polyester with anti-slip relief patterning.

### Fittings, fully accessible toilet room

Toilet seat enclosed in moulded fibre glass-reinforced polyester. Wall-mounted toilet paper holder.

Wall-mounted tip-up grab rails by the toilet.

Possibility of adding wash basin with fresh water tank (25 litres), foot pump and tap.

### Fittings, toilet room

Toilet seat enclosed in moulded fibre glass-reinforced polyester. Wall-mounted toilet paper holder.

Possibility of adding wash basin with fresh water tank (25 litres), foot pump and tap.

### A Self-Contained Installation

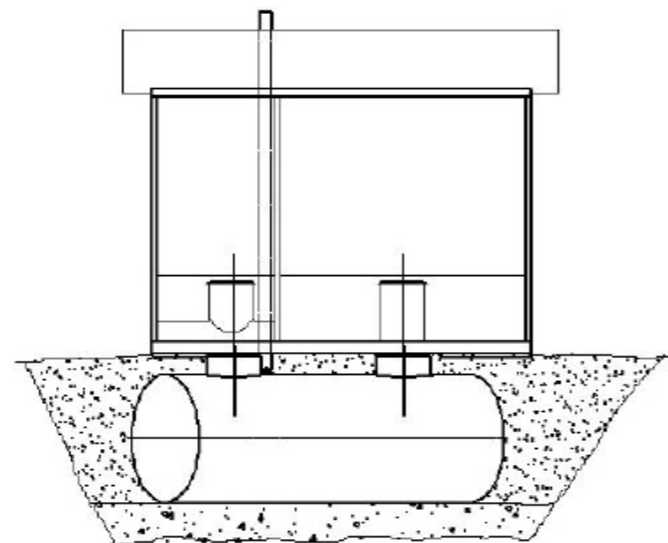
The Log House Toilet is intended for landscape locations without access to water and sewerage. Instead, waste is stored in a tank.

### Placement

The waste tank is positioned in the ground below the toilet building.

### Emptying

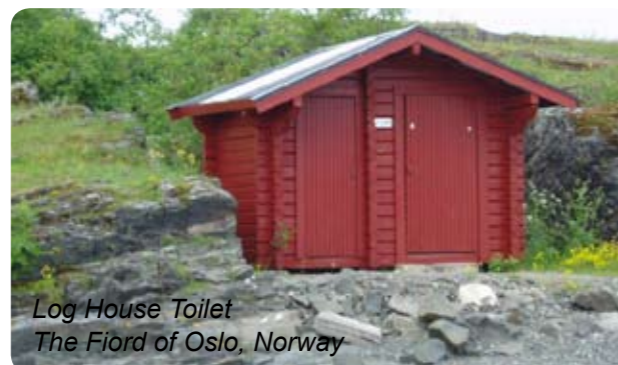
The tank is emptied through slurry suction. It has a capacity of approximately 10 000 visits.



*Danfo's Log House Toilet is a self-contained installation; visitors needs are met and waste is kept out of the surrounding environment.*



*Log House Toilet  
Bohuslän, Sweden*



*Log House Toilet  
The Fiord of Oslo, Norway*

**LOG HOUSE TOILET**  
- A public toilet for landscape use

# LOG HOUSE TOILET

Almost 40 years' experience makes Danfo experts at providing user-friendly sanitation solutions of the highest quality. Our Log House Toilet is a simple facility for outdoor and recreational areas which nonetheless offers the hygiene and comfort for which we are known.

The Log House Toilet is a robust cabin made of sturdy logs dovetailed at the corners. This gives a traditional appearance which fits very well in most natural surroundings. Because the façade is unpainted on delivery you can customise it to blend in with its surroundings - or to stand out.

Our Log House Toilet is connected to a waste tank, so is especially well suited for use in sites without access to water and sewerage. It is a very popular installation in national parks, nature reserves and other sensitive environments with high volumes of visitors.



Log House Toilet  
Senftenberg, Germany



Log House Toilet  
Dalarna, Sweden

## A Modern Facility with Traditional Appeal

Danfo's Log House Toilet is a traditional Scandinavian log cabin housing modern sanitation facilities. The vintage architecture and natural beauty of the wood means that the building will complement its surroundings. As it is delivered to you with untreated walls you can choose to make it as modern or traditional as you wish.

Untreated to display the fine quality wood?

Red with white corners, in the classic Swedish style?

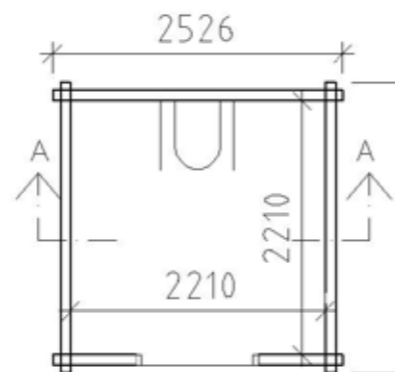
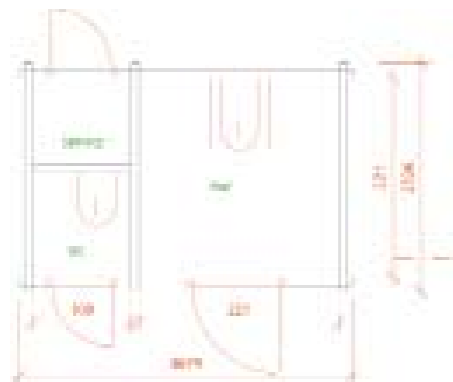
Or perhaps something quite different - the choice is yours.

## A size that fits you

The Log House Toilet is available with one or two toilet rooms.

Danfo believe that public toilets should be accessible to everyone, which is why both models contain a fully accessible toilet room. In addition to this, the larger building also contains a second, smaller, toilet room.

Both models offer the same high standard of fittings and functionality, so which one you choose depends on which size fits you.



# LOG HOUSE TOILET

## Inviting Interiors



Visitors are greeted by a comfortable, hygienic interior; the Log House Toilet is a simpler installation intended primarily for landscape use, but it nevertheless offers the superior standards of a Danfo toilet.

The toilet rooms are fitted with durable flooring made of fibre glass-reinforced polyester and imprinted with an anti-slip relief pattern. The log walls have been left bare to allow the natural beauty of the outdoors to enter the toilet.

Toilet room with wash basin (ancillary fixture).

## Functional fittings

The toilet seat itself is enclosed in fibre glass-reinforced polyester moulded into one piece with the floor, making the room both easy to clean and resistant to vandalism.

The fittings in the Log House Toilet have been tried and tested over many years and are appreciated for their durability and functionality.

## Fixtures

The toilet rooms have toilet paper holders mounted on the wall. The fully accessible toilet room is also equipped with tip-up grab rails.

Because the Log House Toilet is intended for use in places without access to water and sewerage the toilet rooms are not equipped with running water. However, each room can be furnished with a wash basin connected to a 25-litre fresh water tank.

## The Service Area

The larger version of the Log House Toilet offers a separate service area without public access. Since this space is securely locked it can with benefit be used to store consumables and cleaning equipment, or perhaps materials needed nearby the site.

The service room in a Log House Toilet is located to the rear of the building and accessed through a door at the back.



Fully accessible toilet room with wash basin (ancillary fixture).



The owner of this Log House Toilet by a road side rest area in Sweden has chosen to paint the service door blue to fit in with the colour scheme.